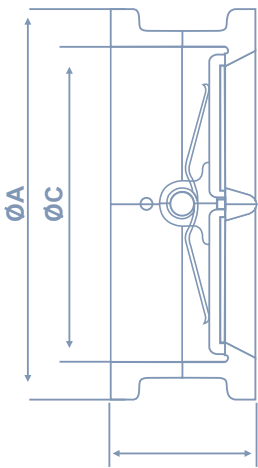


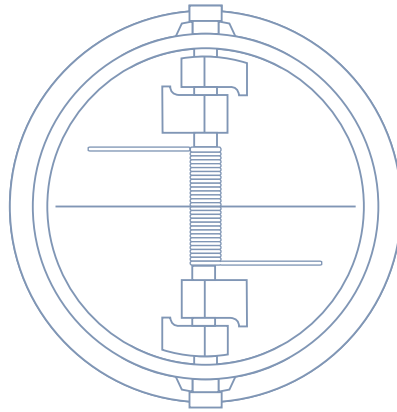
DUAL PLATE CHECK VALVE WAFER TYPE

MATERIAL SPECIFICATIONS

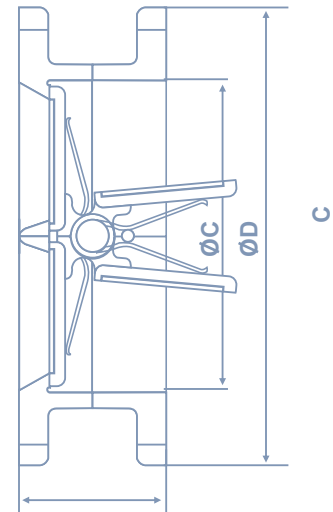
NO.	Part Name	Standard Supply	Optional
1.	Valve Body & Plates	Cast Iron IS 210 GR. FG 260	C.S ASTM A 216 GR. WCB/ S.S. ASTM A 351 Gr. Cf8 / CF 8 M
2.	Metal Seat	S.S. AISI 304	S.S. AISI 316/S.S. AISI 410 Bronze is 318 GR. LTB 2
3.	Resilient Seal	Nitrile	EPDM / Neoprene
4.	Hinge / Stop Pin	S. S. AISI 410	S. S. AISI 304 / S.S. AISI 316
5.	Spring	S.S. AISI 304	S.S. AISI 316 / S.S. AISI 410



PREF. FLOW



PREF. FLOW



DIMENSIONS IN INCH

Valve Size in Inch	2"	2.5"	3"	4"	5"	6"	8"	10"	12"	14"	16"	18"	20"	24"	30"	36"	42"
ANSI Rating	300	300	300	300	300	300	300	300	300	300	300	300	300	300	250	250	250
A	92	105	127	157	186	216	270	324	381	413	470	533	584	692	949	1096	1300
B	60	67	73	73	86	98	127	146	181	222	232	264	292	318	365	483	568
C	60	73	89	114	141	168	219	273	324	356	406	457	508	610	762	914	1067
D	165	190	210	254	279	318	381	444	521	584	648	711	775	914	1092	1270	1448

DIMENSIONS IN MM

Valve Size in mm	50	65	80	100	125	150	200	250	300	350	400	450	500	600	750	900	1050
ANSI Rating	150	150	150	150	150	150	150	150	150	150	150	150	150	150	125	125	125
A	92	105	127	157	186	216	270	324	381	412	470	533	584	692	870	1035	1206
B	60	67	73	73	86	98	127	146	181	184	191	203	219	222	305	368	432
C	60	73	89	114	141	168	219	273	324	356	406	457	508	610	762	914	1067
D	152	178	190	229	254	279	343	406	483	533	597	635	698	812	984	1168	1346

DUAL CHECK VALVES